



# Automatic Sprinklers

## 1. General description

- The automatic sprinklers are classified as closed type or open type, closed type also classified as Wet, Dry and Pre-action type, which played with main device in the automatic sprinklers system, CD branded sprinklers features a high sensitivity have passed the perfect test device, is a long-term stability product.
- With gained the certificate from the "Chinese Fire Protection Safety Center"

(CFS Taiwan Authority)

Series No.	CD AHD 152U	CD AHD 152P	CD AHD 152F
Installation	Upright Type	Conventional Type	Pendent Type
Certificate No.	CSP-9503-1	CSP-9502-1	CSP-9504-1
Rated Operation Temperature	68°C (65°C~78°C)		
Class of Sensitivity	Type II (within 60 seconds) SR		
Discharge Q	80+4ℓ/min		
Thread	1/2" PT		
Range of Pressure Applied	1~10kgf/cm <sup>2</sup>		
Test Pressure	35 kgf/cm <sup>2</sup>		
Heat-responsive Element	Glass Bulb		
Max. ambient temp. Allowed	39°C		
Effective Coverage Radius	r=2. 3m		



Upright

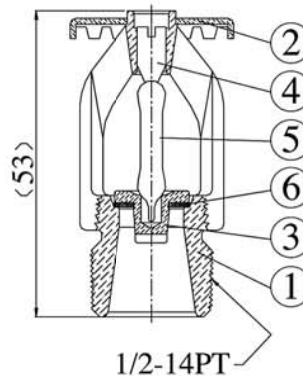


Pendent



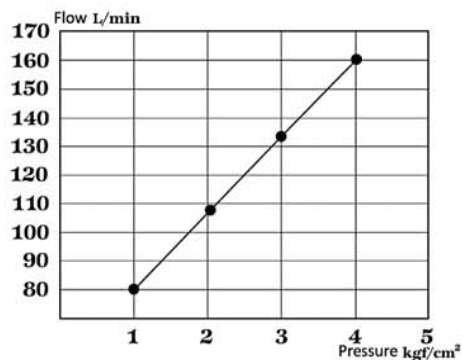
Conventional

## 2. Material (Upright)



6	Spring Washer	TEFLON
5	Glass Bulb	Fluid Glass
4	Set Screw	C3604
3	Bulb Retainer	C3604
2	Deflector	C2680
1	Frame	C3604

## 3. Pressure vs Flow



## 4. Pressure vs Distribution (Pendent)

