

PRODUCT DESCRIPTION

The Model A PS007、PS008 ½” orifice, standard horizontal sidewall sprinkler is designed for standard or recessed installation. The design provides a crescent-shaped water discharge pattern for installation along a wall or under a beam or ceiling. The design incorporates state-of-the-art, heat responsive, frangible glass bulb design (standard or quick response) for prompt, precise operation. The die cast frame is more streamlined and attractive than traditional sand cast frames. It is cast with a hex-shaped wrench boss to allow easy tightening from many angles, reducing assembly effort. This sprinkler is available in various temperature ratings (see chart on page 2) and finishes to meet many design requirements. The recessed pendent should be utilized with a Model A recessed escutcheon which provides up ¾” of adjustments.

Sprinkler Operation

The operating mechanism is a frangible glass bulb which contains a heat responsive liquid. During a fire, the ambient temperature rises causing the liquid in the bulb to expand.

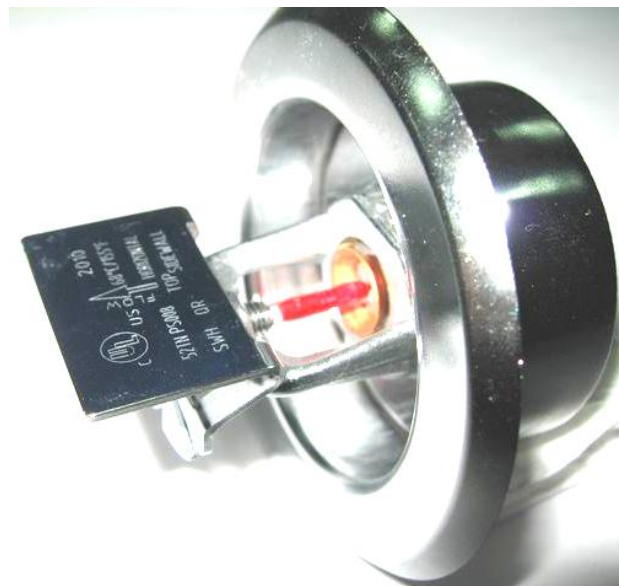
When the ambient temperature reaches the rated temperature of the sprinkler, the bulb shatters. As a result, the waterway is cleared of all sealing parts and water is discharged towards the deflector. The deflector is designed to distribute the water in a pattern that is most effective in controlling the fire.

Maximum Coverage

Standard spray coverage is up to: Light Hazard = 196 square feet(18,2 sq.m); Ordinary Hazard = 100 square feet(9,3 sq.m)per NFPA 13. see page 4 for distribution patterns.



Standard Horizontal Sidewall



Recessed Horizontal Sidewall

TECHNICAL SPECIFICATION

SIN : Standard PS007(bulb 5mm),Quick Response PS008(bulb 3mm)

Style : Horizontal Sidewall

K-Factor : 5.6Imp.(80S.I)

Response Time Index(RTI) : Standard 50 , Quick Response 30

Norminal Thread Size : 1/2"NPT(15mm)

Max. Working Pressure : 175PSI(1200kPa)

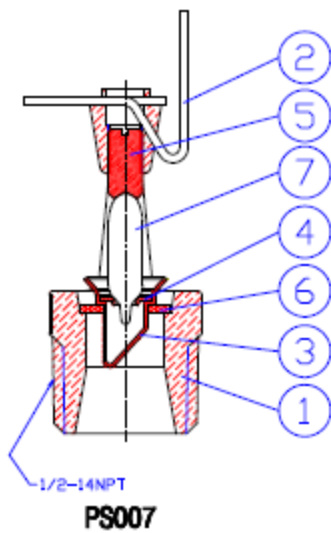
Factory Hydrostatic Test : 100% @500PSI(3450 kPa)

Min. Operation Pressure : 7 PSI(48 kPa)

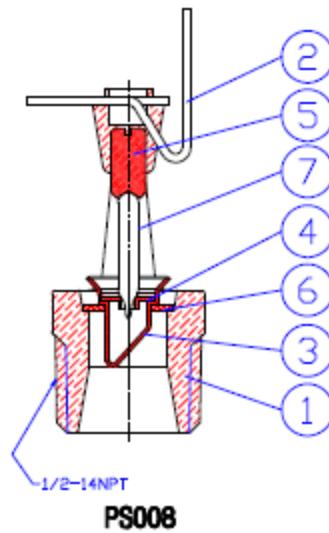
RATINGS

SPRINKLRE TEMPERATURE CLASSIFICATION	NORMINAL SPRINKLER TEMPERATURE RATING	N.F.P.A MAXIMUM AMBIENT (CEILING) TEMP.(ALLOWED)	GLASS BULB COLOR
Ordinary	155°F/68°C	100°F/38°C	Red
Intermediate	200°F/93°C	150°F/65°C	Green

DIMENSIONS

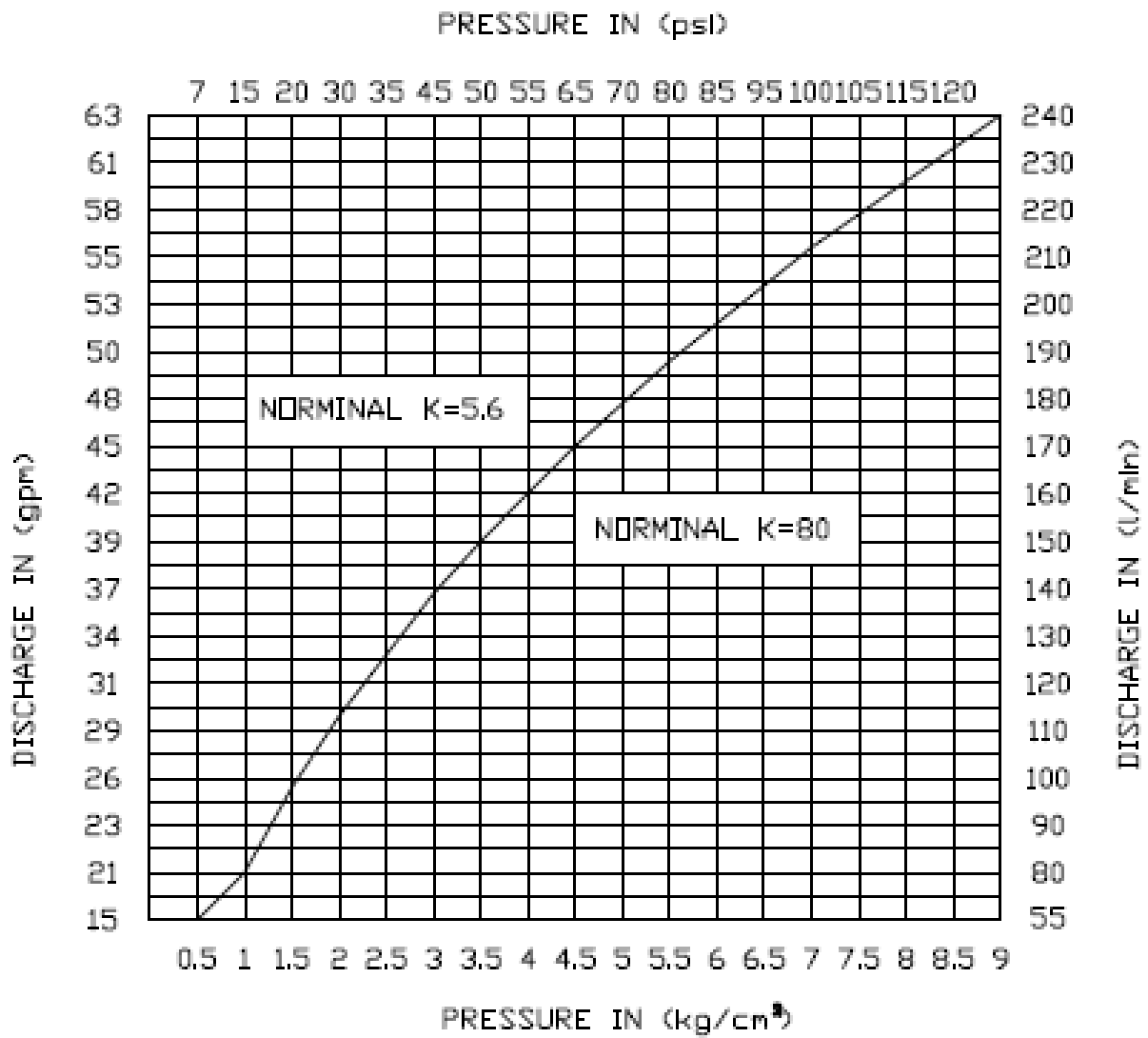


1	玻璃球 BULB	7	NORBULB N5
1	彈片 SEAL	6	BERY, NICKEL SPRING TEFLON TAPE
1	螺絲 LOAD SCREW	5	ASTM C36000
1	內螺絲母 CAP SEAT	4	ASTM S30400
1	內螺絲母 CAP	3	ASTM C11000
1	撥水板 DEFLECTOR	2	ASTM C22000
1	本體 FRAME	1	ASTM C37700



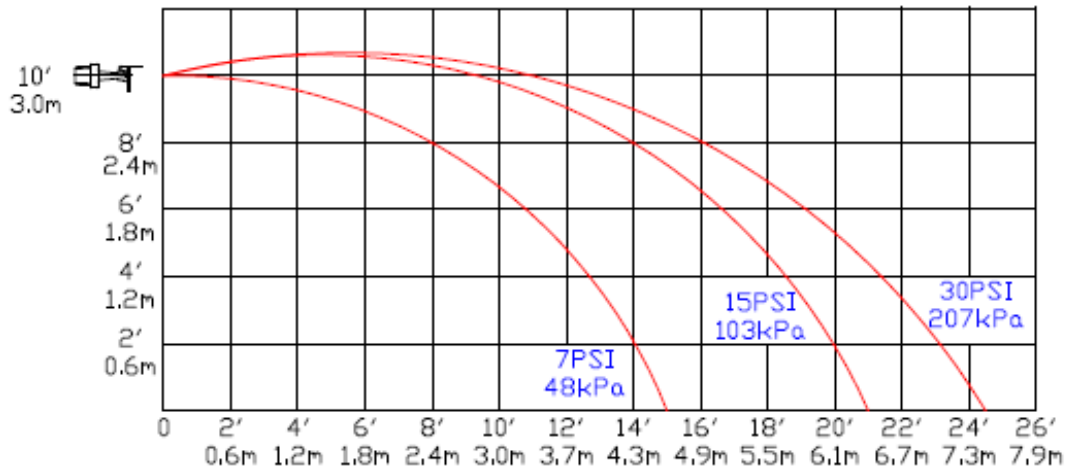
1	玻璃球 BULB	7	NORBULB N3
1	彈片 SEAL	6	BERY, NICKEL SPRING TEFLON TAPE
1	螺絲 LOAD SCREW	5	ASTM C36000
1	內螺絲母 OR CAP SEAT	4	ASTM S30400
1	內螺絲母 CAP	3	ASTM C11000
1	撥水板 DEFLECTOR	2	ASTM C22000
1	本體 FRAME	1	ASTM C37700

DISCHARGE CURVE

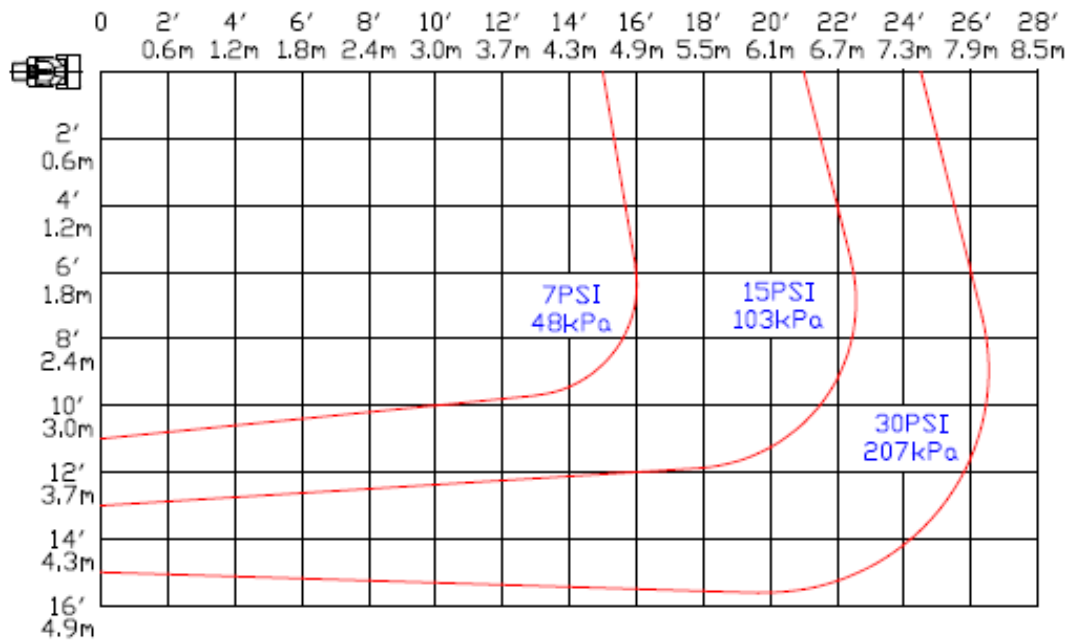


DISTRIBUTION PATTERNS

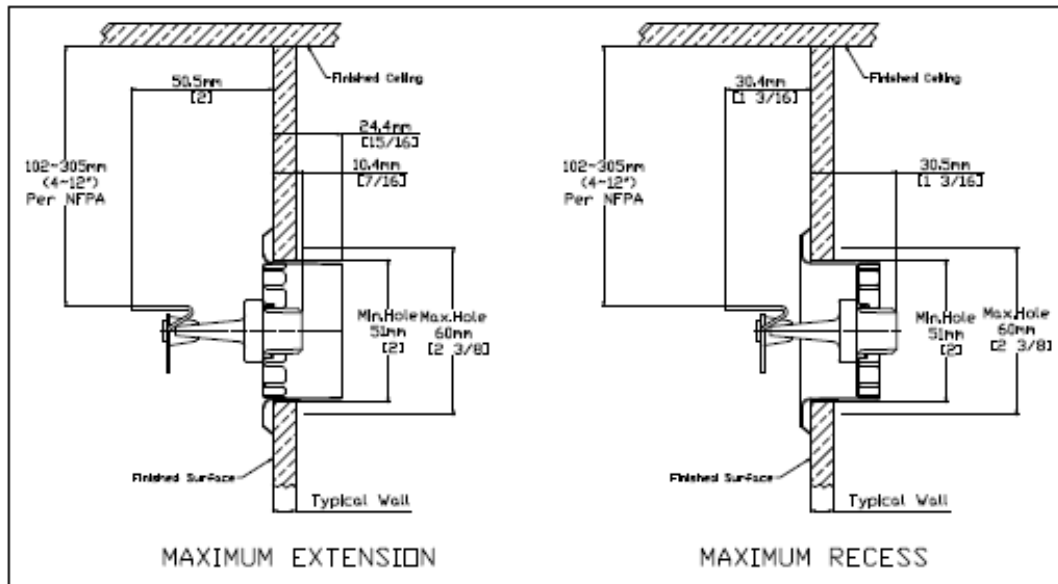
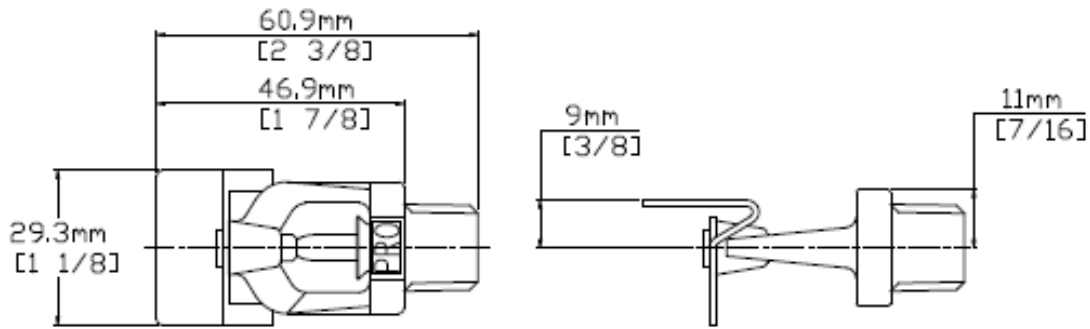
K5. 6 STANDARD HORIZONTAL SIDEWALL AND RECESSED HORIZONTAL SIDEWALL DISTRIBUTION PATTERNS - TRAJECTORY



K5. 6 STANDARD HORIZONTAL SIDEWALL DISTRIBUTION PATTERNS - PLAN VIEW



DIMENSIONS



1/2" ADJUSTMENT

PROTECTOR