

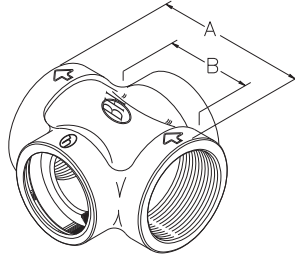
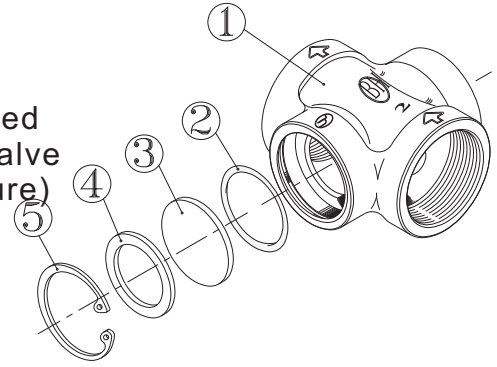
## BH-19 SIGHT GLASS



Working Pressure: 175psi

This device should be installed  
On discharge side of drainvalve  
(Not for system static pressure)

**Optional Finishes:**  
PB-Polished Brass  
RC-Rough Chrome Plated  
PC-Polished Chrome Plated



ITEM	DESCRIPTION	MATERIAL	Q'TY
1	BRASS BODY	CASTING BRASS B584 C85700 OR CASTING BRONZE B584 C84400	1
2	O-RING	NBR	2
3	CLEAR PLATE	ACRYLIC	2
4	WASHER	BRASS B16	2
5	BUCKLE	STAINLESS STEEL A2	2

**STGHT DRAIN WITH RESTRICTED ORIFICE**

SIZE	A	B	Orifice Size
1" (25mm)	3 1/4" (82mm)	2 1/4" (50mm)	7/16" - 1/2" - 17/32" min max
1-1/4" (32mm)	3 1/4" (82mm)	2 1/4" (51mm)	7/16" - 1/2" - 17/32" min max
1-1/2" (38mm)	3 1/4" (82mm)	2 1/4" (51mm)	7/16" - 1/2" - 17/32" min max
2" (50mm)	3 3/8" (85mm)	2 1/4" (51mm)	7/16" - 1/2" - 17/32" min max

## BH-20 PLUG AND CHAIN

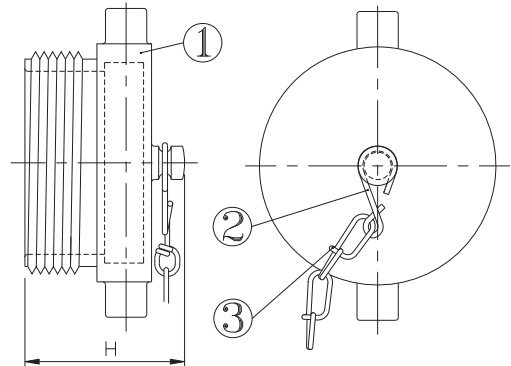


Used on Fire Dept. inlet connec  
Prevents entry of foreign matter  
protects female threads.

**Standard equipment:**  
Barss plug with male hose three  
and attached chain.

**Available with pin or rocke**

**Optional Finishes:**  
PB-Polished Brass  
RC-Rough Chrome Plated  
PC-Polished Chrome Plated



**DIMENSIONS Unit: inch**

Size	Mark	1 1/2"	2 1/2"
H		1.67	2.22

NO	NOMENCLATUR	MATERIALS	NO	NOMENCLATUR	MATERIALS
1	CAP	1 1/2": ASTM B584 C85700 2 1/2": ASTM B124 C37700	2	SNAP RING	BRASS
			3	CHAIN	BRASS